

VOLEX TTX2000S - Tuner PCB - TIF A 003

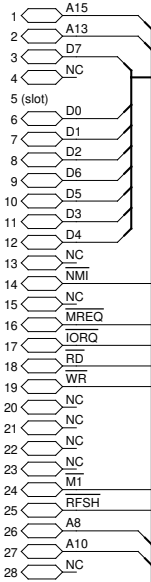
Revision: 1

Date: 2019-04-16

Sheet 1 of 2

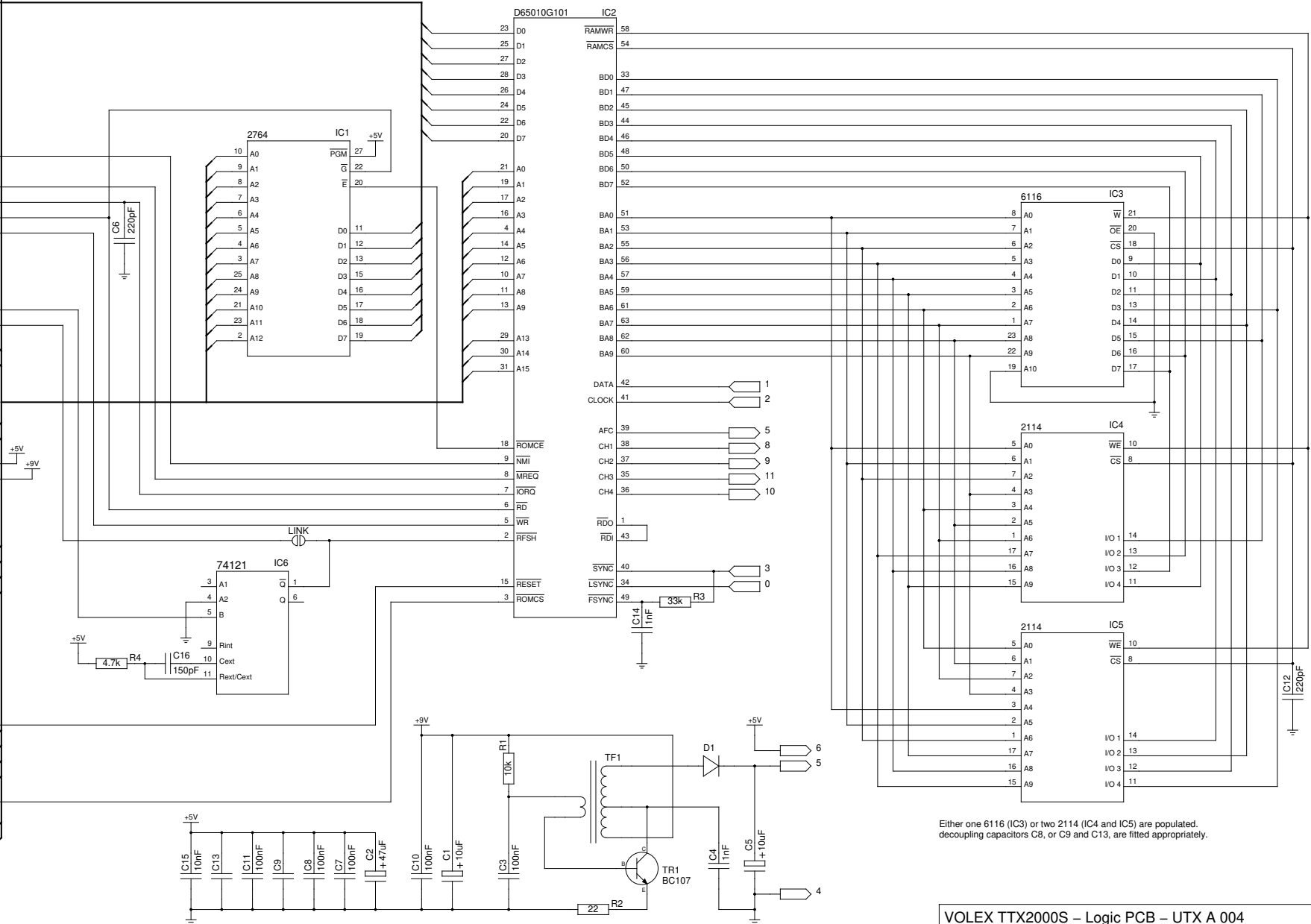
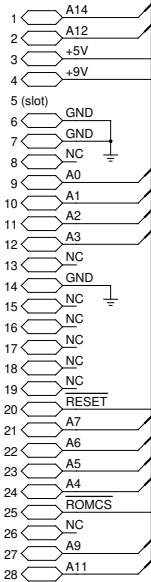
EXPANSION CONNECTOR

UPPER



EXPANSION CONNECTOR

LOWER



Either one 6116 (IC3) or two 2114 (IC4 and IC5) are populated.  
decoupling capacitors C8, or C9 and C13, are fitted appropriately.